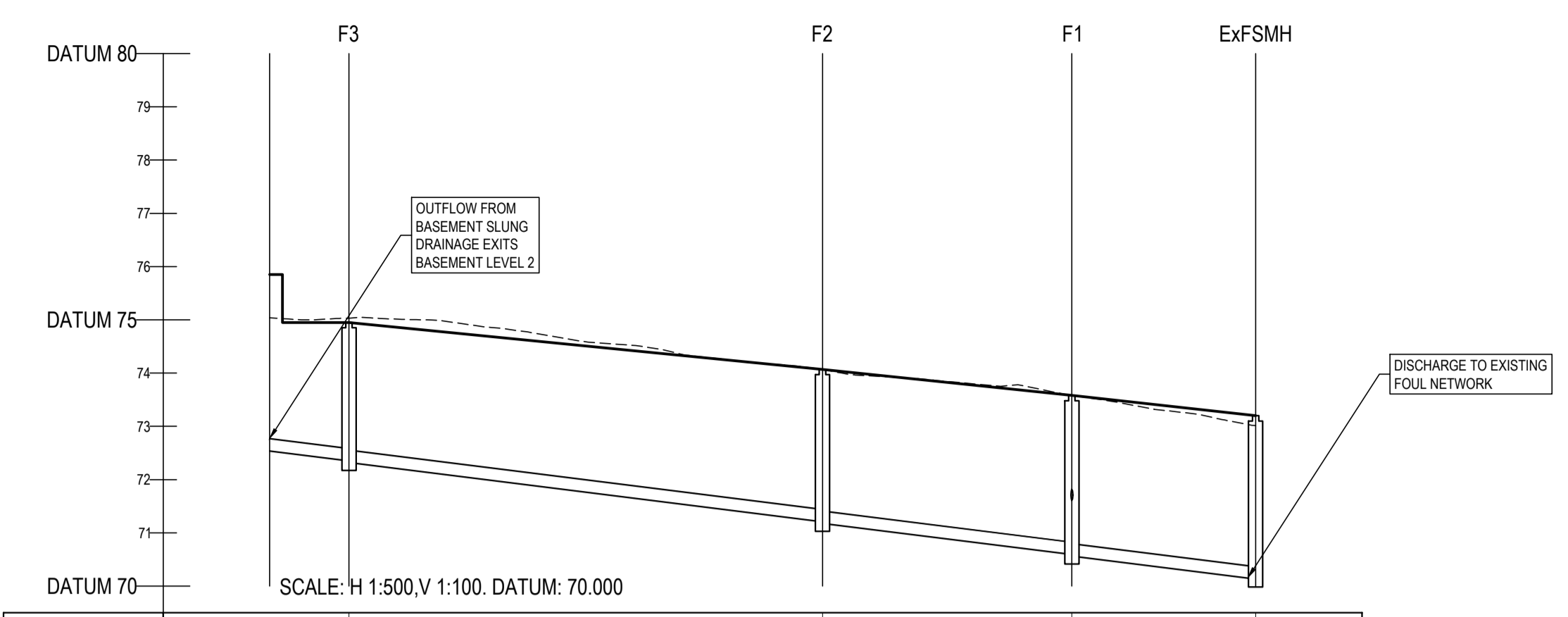


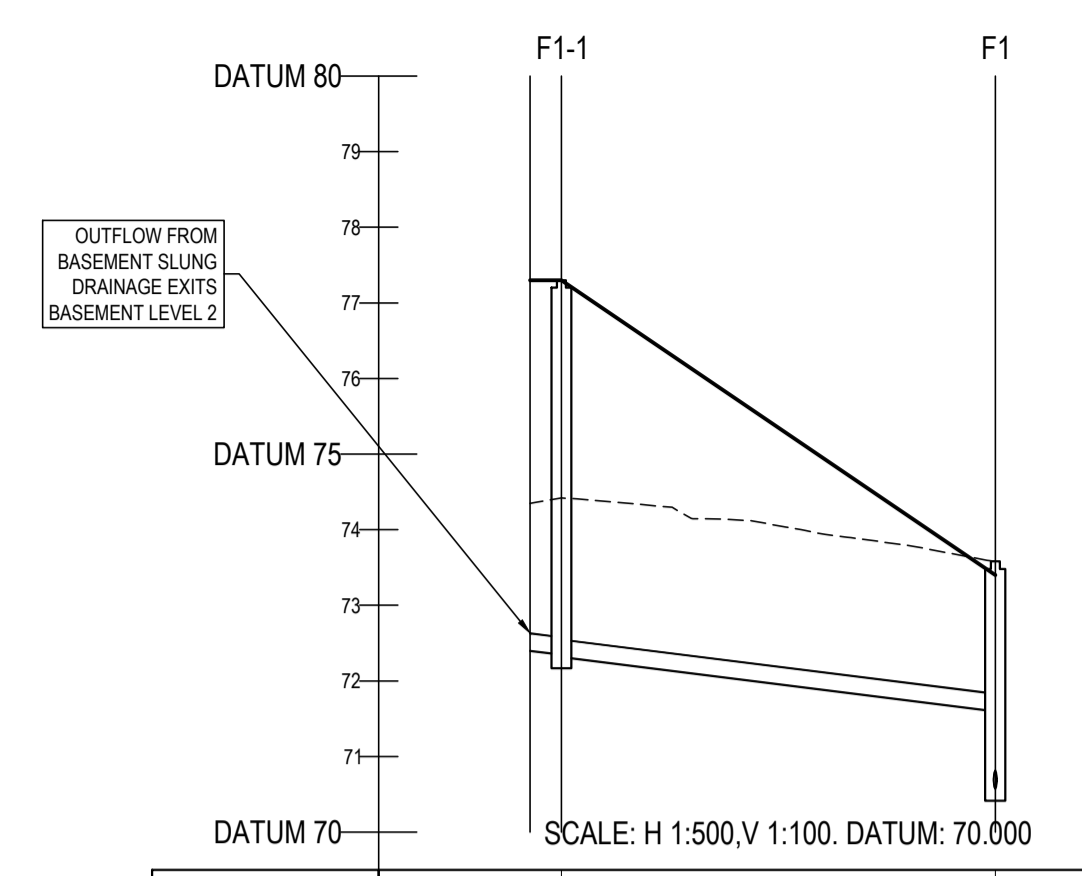
- NOTES:
1. ALL DRAWINGS TO BE CHECKED BY CONTRACTOR ON SITE AND ENGINEER INFORMED OF DISCREPANCIES BEFORE WORK COMMENCES
  2. ALL LEVELS ARE IN METRES AND ARE RELATED TO ORDNANCE DATUM
  3. CONTRACTOR SHALL SATISFY HIMSELF AS TO THE ACCURACY OF PAVEMENT LEVELS ON SITE PRIOR TO COMMENCEMENT OF WORKS ON SITE
  4. ALL WORKS TO BE CONSTRUCTED IN ACCORDANCE WITH THE NRA SPECIFICATION FOR ROAD WORKS UNLESS NOTED OTHERWISE
  5. THIS DRAWING IS FOR PLANNING PURPOSES ONLY
  6. MANHOLE COVER LEVELS ARE TO CONFORM WITH FINISHED ROAD AND PATH LEVELS
  7. WHERE COVER TO PIPE IS LESS THAN 1200mm (ROAD/PATH/VERGE) OR 900mm (OPEN SPACE) SURROUND PIPE IN MINIMUM 150mm CONCRETE

KEY

----- EXISTING GROUND PROFILE  
 \_\_\_\_\_ PROPOSED GROUND PROFILE



COVER LEVEL		74.950		74.050		73.982		73.200
INVERT LEVEL	72.589	72.353	72.323		71.211	71.161	71.059	70.125
DEPTH (m)		2.627		2.839		3.016		3.065
DISTANCE (m)	7.45		44.48		23.42		17.26	
PIPE SLOPE	1:40		1:40		1:40		1:40	
PIPE SIZE	225mm		225mm		225mm		225mm	



COVER LEVEL		77.300		73.982
INVERT LEVEL	72.400	72.348	72.318	71.600
DEPTH (m)		4.902		3.016
DISTANCE (m)	2.07		28.70	
PIPE SLOPE	1:40		1:40	
PIPE SIZE	225mm		225mm	

P02	09-12-20	PLANNING	BS	NJF
P01	06-11-20	PLANNING	BS	NJF
rev	date	description	by	chkd.
		A - Approved		
		B - Approved with comments		
		C - Do not use		
client approval				
suitability		issue purpose		
S2 - INFORMATION		PLANNING		

**DBFL Consulting Engineers**  
 Civil, Structural & Transportation Engineering  
 www.dbfl.ie

DUBLIN OFFICE: Ommond House, Upper Ommond Quay, Dublin 7, D07 W704  
 PHONE +353 1 454 4200

CORK OFFICE: Phoenix House, Monahan Road, Cork, T12 H1XV  
 PHONE +353 (0) 21 2024538

WATERFORD OFFICE: Suite 10 The Atrium, Maritime Gate, Canada Street, Waterford, X91 W028  
 PHONE +353 51 309 560

project ref.  
**RESIDENTIAL DEVELOPMENT AT GLENAMUCK ROAD**

drawing title  
**FOUL DRAINAGE LONGITUDINAL SECTIONS SHEET 1**

client  
**AXIS CONSTRUCTION**

designed by	author	scale	sheet size
PCC	BS	AS SHOWN	A1
drawing no.		revision	
	170063-3130	P02	